

# D.O.G.S.



## DURABLE OFF GROUND SLEEPER

**Rover Company** has for years manufactured the world's finest portable and permanent pet pens and kennels made entirely of vinyl plastic. This durable lightweight material is also used to produce an attractive, easy care pet bed that offers maximum comfort and durability.

Large size bed will hold up to 250lbs

Will not rust, rot, peel, or flake off

Allows full 360 degree air circulation to help prevent coat matting and skin irritations

Bed cover will not hold or sustain fleas, disease's, moisture or odor

Entire unit can be easily cleaned with bio degradable soap and water

Unit assembles and disassembles in only seconds without glue or tools



12 x 18

18 x 24

24 x 30

30 x 36

36 x 48

36 x 60

## DURABLE OFF GROUND SLEEPER ASSEMBLY INSTRUCTIONS

**STEP 1, Figure 1:**

Unfold the bed and familiarize yourself with the **D.O.G.S.** bed parts as shown. Parts may not be shown in proportion to each other as they are in your particular size bed. Bed **Cross Bars**, Part **C** will already have been installed in the bed.

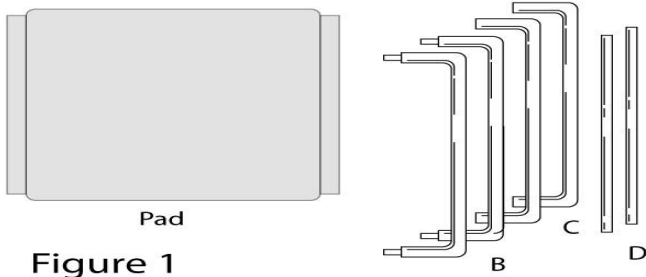


Figure 1

**STEP 3, Figure 3:**

Place assembled end of bed against a wall, couch or other object to keep it from "squirming". As shown in photo **A**, use a broom handle, stick or other object as a lever to assist assembly.

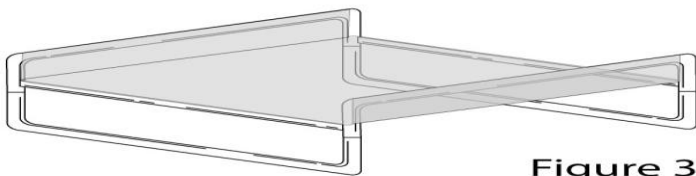


Figure 3

**STEP 2, Figure 2:**

For simplicity, the **D.O.G.S.** bed frame is shown without its pad. Insert first part **D** through panel at either end of pad, into holes in part **C**. Insert second part **D** through panel at opposite end of pad, completely into hole of first part **C**. Pull on free end of part **D**, Tightening the pad, until the free end can be inserted in the hole of second part **C**. This maneuver is much like "string a bow" and may require 2 people. The pad is necessarily tight to produce a firm, sound bed. Insert parts **B** into parts **C**.

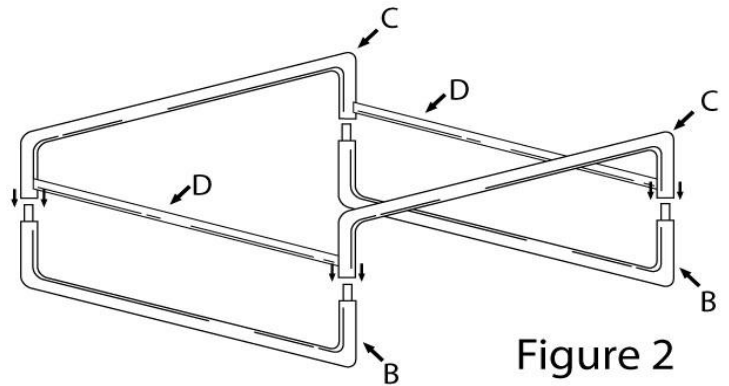


Figure 2

You now have a fully assembled **D.O.G.S.** bed, ready to give full spring comfort to your pet. For travel or storage, simply reverse these assembly instructions.